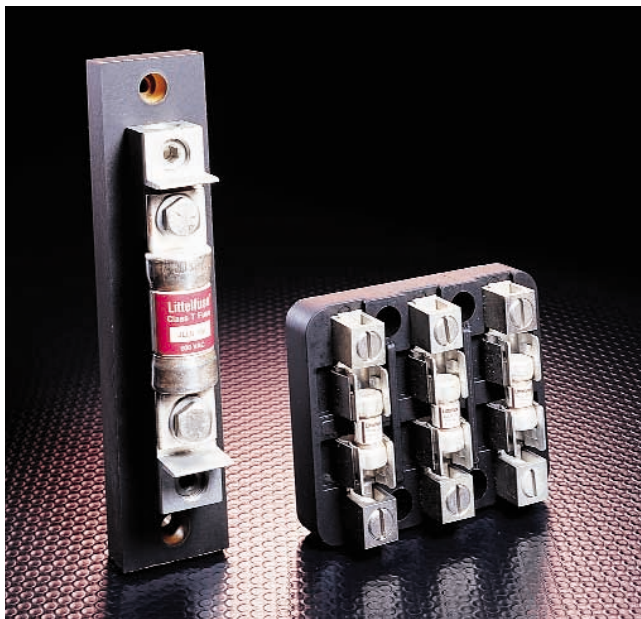


Class T Fuse Blocks

300 and 600 Volt



SPECIFICATIONS

Voltage Ratings: 300 Volts AC
600 Volts AC

Ampere Ratings: 0 – 600 amperes

Approvals: UL Listed (File No. E14721)
CSA Certified (File No. LR73091)

RECOMMENDED FUSES

JLLN (300V) and JLLS (600V) series fuses

300 and 600 volt fuse blocks are designed for use with miniaturized Class T fuses. Class T fuses are very fast-acting, current limiting, and approximately one-third the size of electrically-comparable Class RK1 fuses.

FEATURES/BENEFITS

Bases are molded phenolic. To provide a low resistance connection and long-range reliability, steel reinforcing springs are supplied as standard. Larger blocks employ an integral heat sink for maximum heat dissipation.

Class T 300V

Amp Rating	No. of Poles	Catalog Number	Connector Type (Add suffix shown)		Maximum Wire Size
			Screw	Box Lug	
30	2	LT30030-2		CR	S = #10 CU C = #2 CU
	3	LT30030-3		CR	
60	2	LT30060-2		CR	C = #2 CU-AL
	3	LT30060-3		CR	
	4	LT30060-4		CR	
100	1	LT30100-1		C	#2/0 CU-AL
	2	LT30100-2		C	
	3	LT30100-3		C	
200	1	LT30200-1		C	250 MCM CU-AL
400	1	LT30400-1		C	(2) 250 MCM CU-AL
600	1	LT30600-1		C	(2) 500 MCM CU-AL

Class T 600V

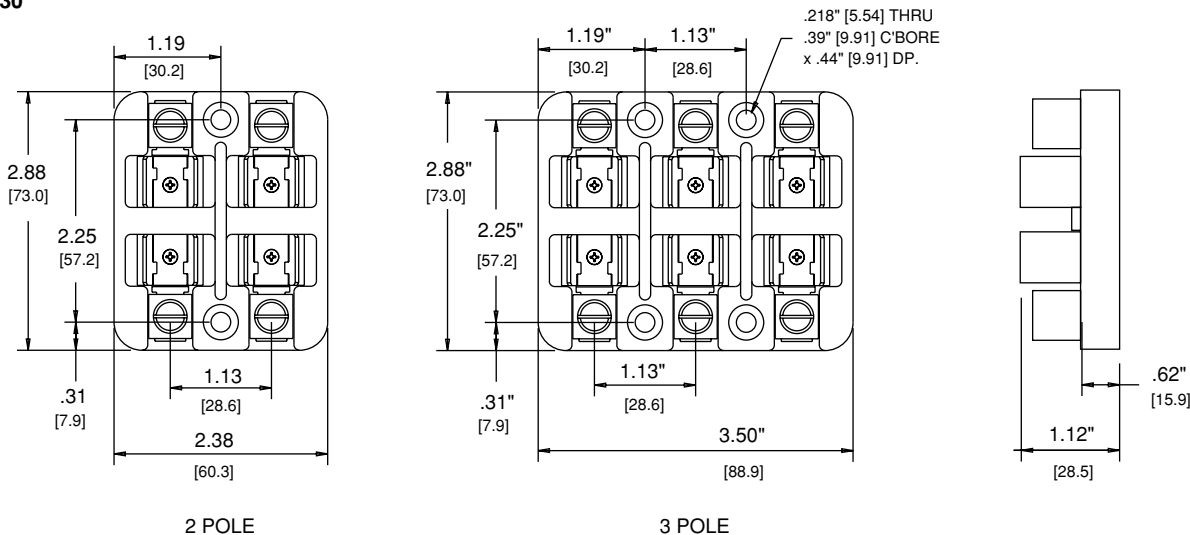
Amp Rating	No. of Poles	Catalog Number	Connector Type (Add suffix shown)		Maximum Wire Size
			Screw	Box Lug	
30	1	LT60030-1	SR	CR	S = #10 CU C = #2 CU-AL
	2	LT60030-2	SR	CR	
	3	LT60030-3	SR	CR	
60	1	LT60060-1		CR	C = #2 CU-AL
	2	LT60060-2		CR	
	3	LT60060-3		CR	
100	1	LT60100-1		C	#2/0 CU-AL
	2	LT60100-2		C	
	3	LT60100-3		C	
200	1	LT60200-1		C	250 MCM CU-AL
400	1	LT60400-1		C	(2) 250 MCM CU-AL
600	1	LT60600-1		C	(2) 500 MCM CU-AL

Note: Reinforcing springs standard on all 300 volt Class T fuse blocks up to 100 amperes. 300 volt Class T blocks 200 amperes and larger have stud mountings.

Note: Reinforcing springs standard on all 600 volt Class T fuse blocks up to 60 amperes. 600 volt Class T blocks 100 amperes and larger have stud mountings.

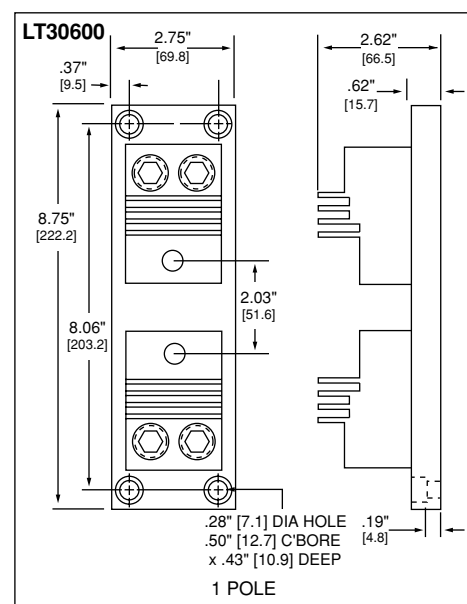
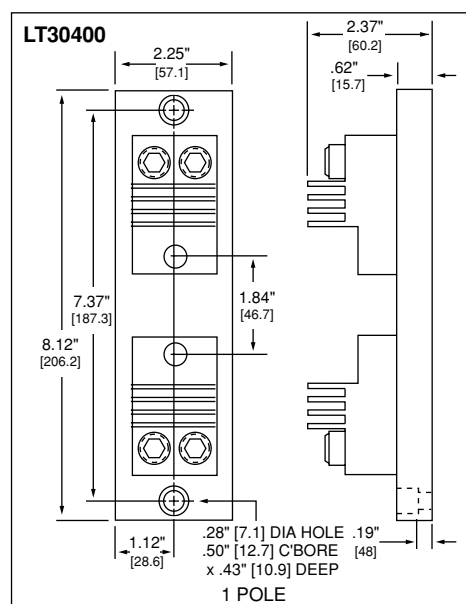
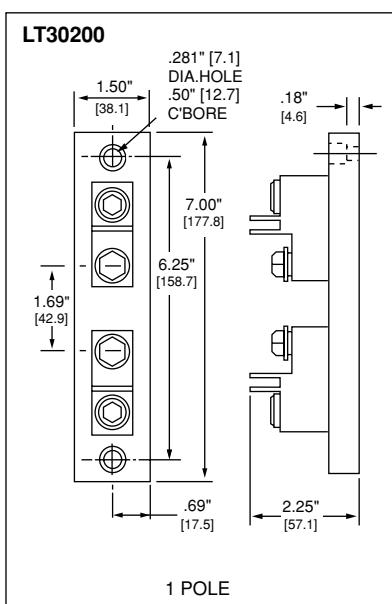
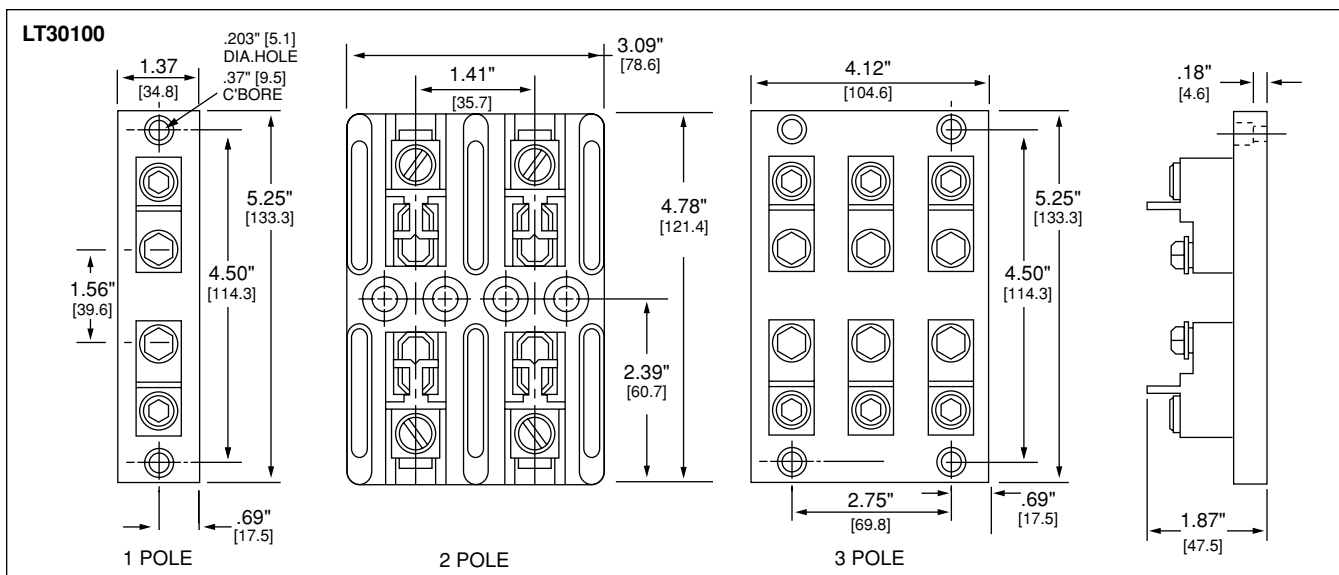
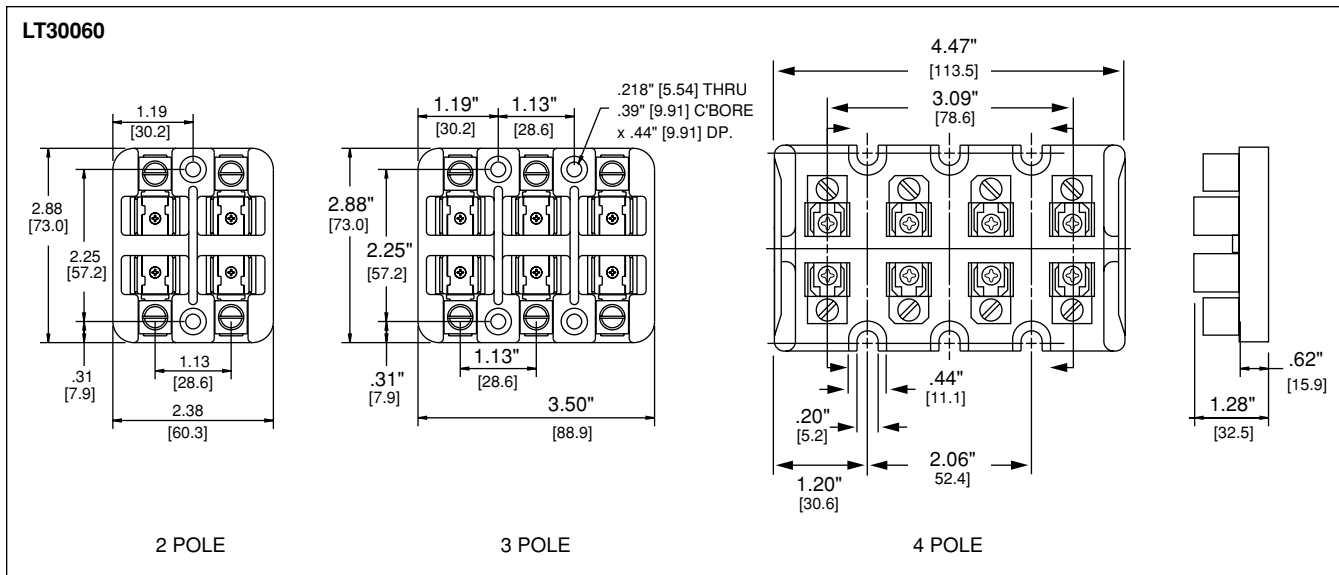
Blocks
And
Holders

LT30030



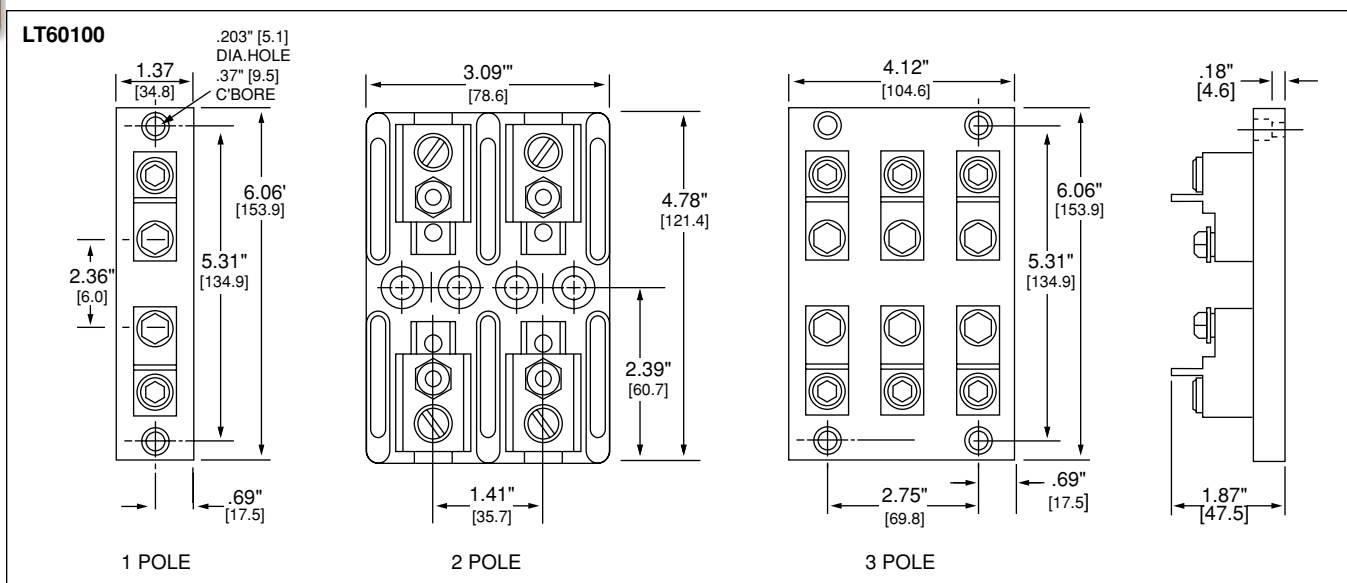
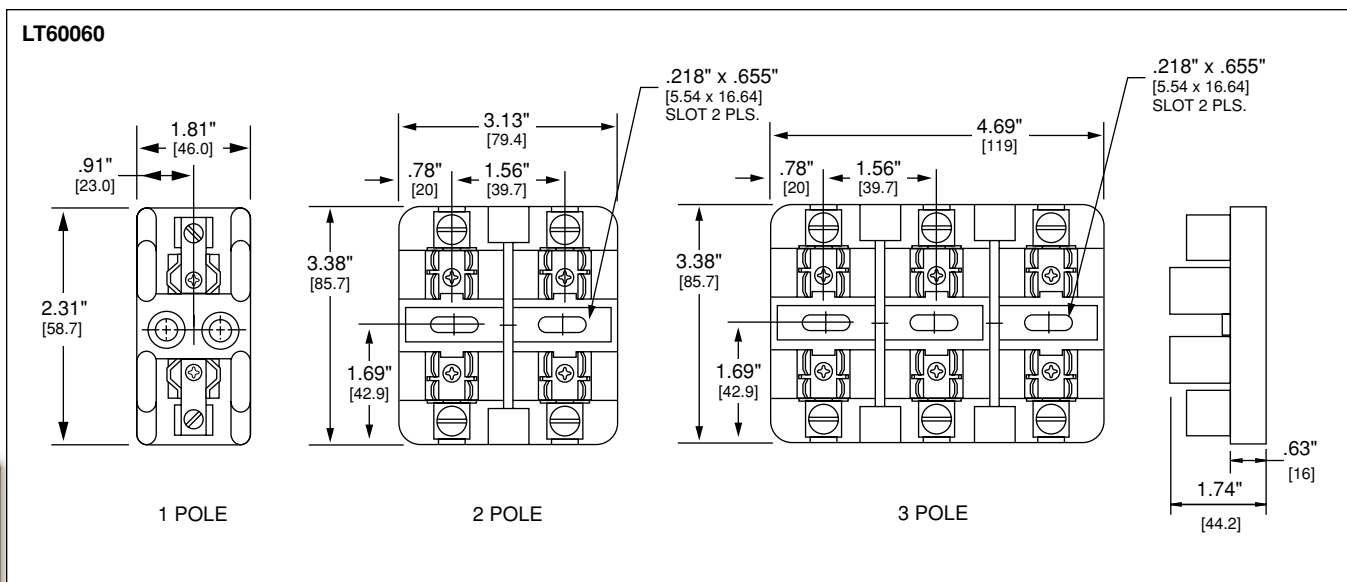
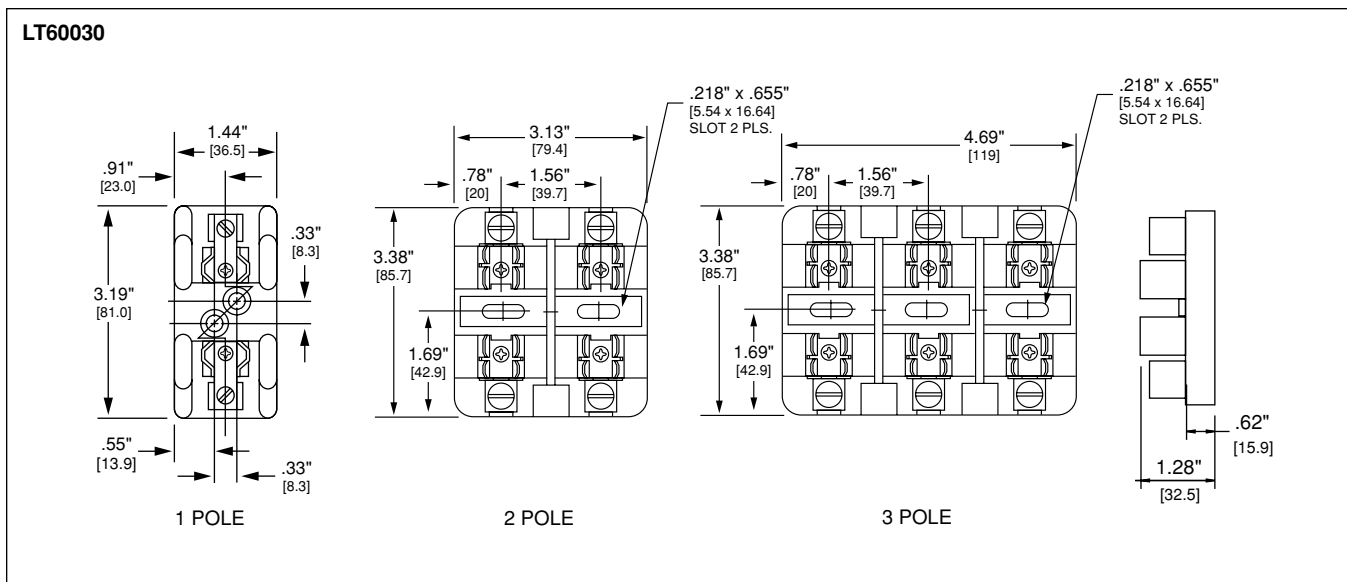
Class T Fuse Blocks

300 Volt



Class T Fuse Blocks

600 Volt



Class T Fuse Blocks

600 Volt



POWR-GARD™ Products

